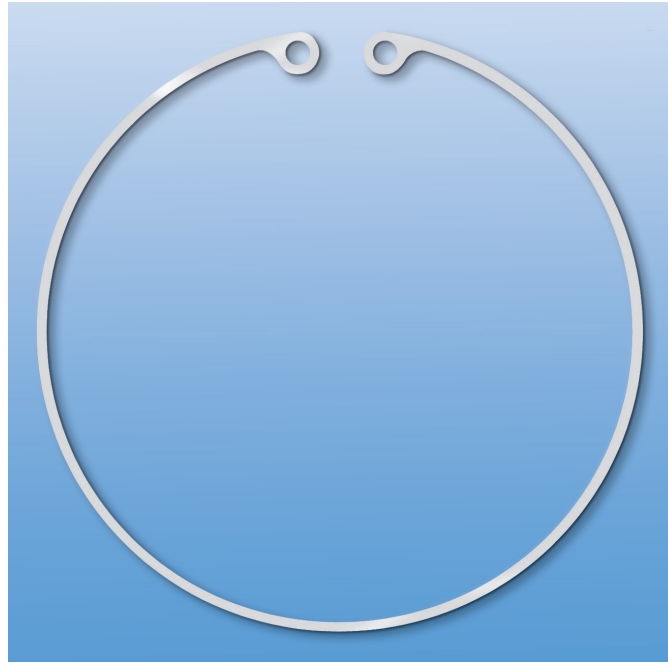
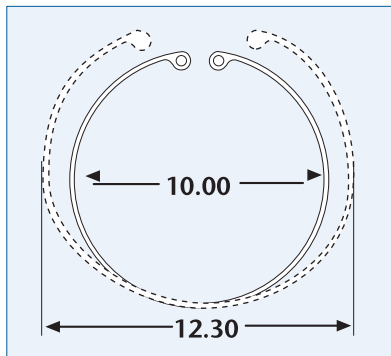


MORCHER®

# Capsular Tension Rings

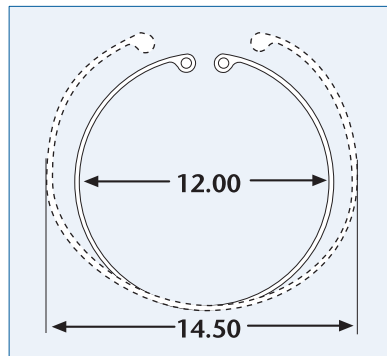


To Stabilize The Capsule

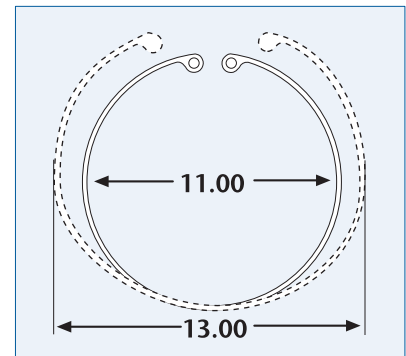


**Type 14**  
**MR - 1400**  
For normal eyes

All dimensions in millimeters



**Type 14 A**  
**MR - 1410**  
For highly myopic eyes



**Type 14 C**  
**MR - 1420**  
For normal or myopic eyes

## Indications:

- Missing or damaged zonules
- Lens subluxation
- Pseudoexfoliation
- Myopia
- Zonulolysis
- Soft IOL
- Marfan's Syndrome

## Advantages:

- Circular expansion of capsular bag
- Stable conditions during surgery
- Improves IOL centration
- Reduced risk of capsular fibrosis
- Resists capsular shrinkage



**FCI Ophthalmics • 800-932-4202**